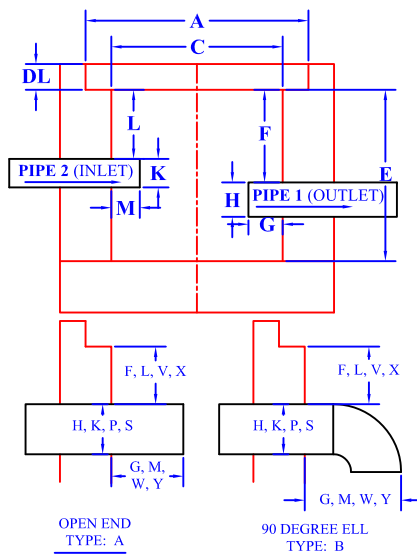
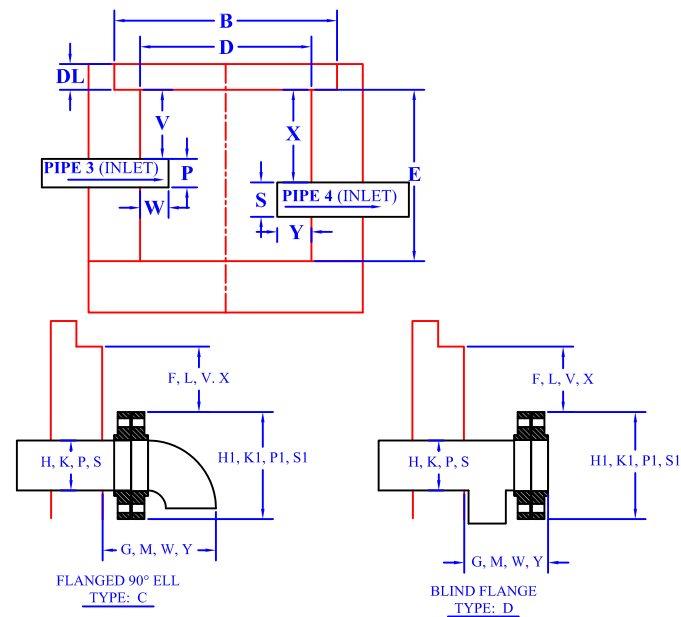


NOTE
ALL CB'S ARE NOT SQUARE. IF CORNERS HAVE A CHAMFER, MARK ON MEASURE FORM PER EXAMPLE



NOTE
USE GUIDELINE FOR MEASUREMENT FORMS FOR INSTRUCTIONS TO FILL OUT MEASURE FORMS.



SELECT TYPE OF GRATE (FLAT BOTTOM OR TAPERED TO CENTER) THAT MATCHES APPLICATION AND FILL IN MEASUREMENTS

DIMENSIONS - CONCRETE BOX
A & C DIMENSIONS - LONG SIDE OF RECT.

DEPTH OF LIP DL = _____

A1= _____ A2= _____ A3= _____

C1= _____ C2= _____ C3= _____

B & D DIMENSIONS - SHORT SIDE OF RECT.

DEPTH OF LIP DL = _____

B1= _____ B2= _____ B3= _____

D1= _____ D2= _____ D3= _____

E = _____ DEPTH OF CB.

PIPE 3 - INLET

INLET TYPE: _____

V = _____

P = _____ P 1 = _____

W = _____

Q = _____

R = _____

PIPE 4 - INLET

INLET TYPE: _____

X = _____

S = _____ S 1 = _____

Y = _____

T = _____

U = _____

PIPE 1 - OUTLET

OUTLET TYPE: _____

F = _____

H = _____ H 1 = _____

G = _____

I = _____

J = _____

PIPE 2 - INLET

INLET TYPE: _____

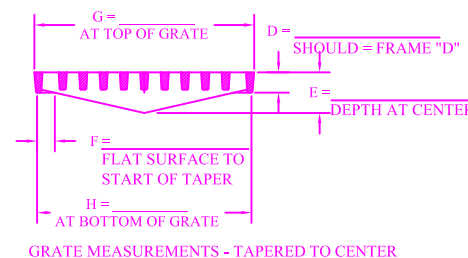
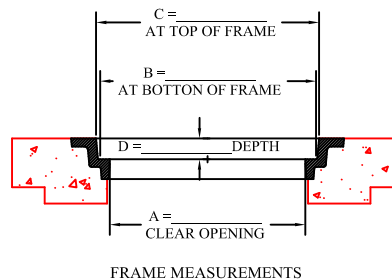
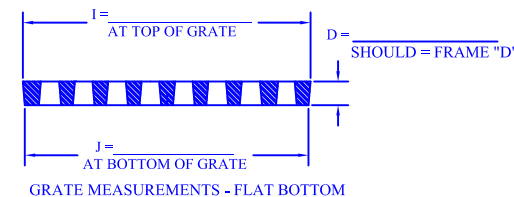
L = _____

K = _____ K 1 = _____

M = _____

N = _____

O = _____



CUSTOMER: _____

DATE: _____

MATERIAL: TYPE 304 STAINLESS STEEL

DWG. NO: MSSDRECT

REV: _____

ESSCO PRODUCTS ARE PROTECTED BY U.S. & INTERNATIONAL PATENTS AND/OR PATENTS PENDING

MEASURE SHEET RECTANGLE CATCH BASIN

ESSCO

ENVIROSAFE SEALING SYSTEMS CO., INC.
BATON ROUGE, LA (225) 753-1505

SERIAL NO.: _____

MODEL: _____