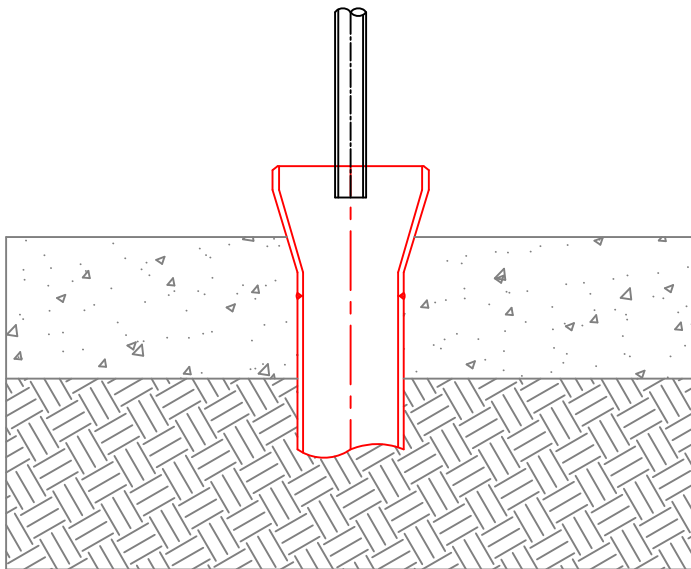
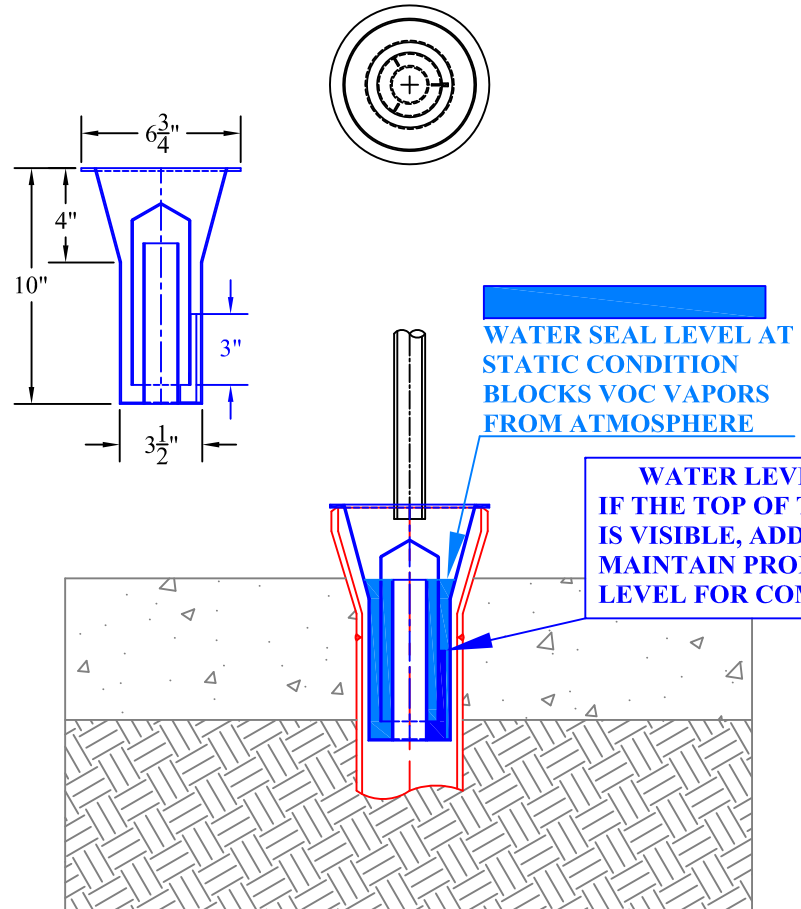


FLOW RATE THROUGH THE ESSCO SEWER SEAL AS DESIGNED IS ABOUT 15 TO 18 GPM. HIGHER FLOW RATES ARE POSSIBLE BY INCREASING THE DEPTH IF POSSIBLE, OR BY REPLACING THE EXISTING DRAIN HUB WITH A NEW ESSCO DRAIN HUB. CONTACT ESSCO AT 225-753-1505 FOR MORE DETAILS.

INSTALLING THE DRAIN LINE AS SHOWN IN THIS APPLICATION **REQUIRES** THE DRAIN LINE TO BE MOVED TO FLUSH THE SEAL PRIOR TO A HOT WORK PERMIT BEING ISSUED OR TO MAKE A REPAIR TO THE DRAIN SHOULD IT BE FOUND OUT OF COMPLIANCE DURING ENVIRONMENTAL TESTING.



EXISTING DRAIN HUB, 6X4 CSR



ESSCO QQQ, B-1 & HON COMPLIANT DRAIN HUB INSERT
RETROFITTED TO EXISTING DRAIN HUB

CUSTOMER:

DATE:

MATERIAL: TYPE 304 STAINLESS STEEL

DWG. NO:

REV :

ESSCO PRODUCTS ARE PROTECTED BY U.S. & INTERNATIONAL PATENTS AND/OR PATENTS PENDING

ESSCO SEWER SEAL

ESSCO

ENVIROSAFE SEALING SYSTEMS CO., INC.

BATON ROUGE, LA (225) 753-1505

SERIAL NO.:

MODEL: ESS-PDIT-0604-10-CSR6X4