

ESSCO CATCH BASINS & DRAIN HUBS ALLOW WATER TO FLOW THROUGH THE DRAIN WHILE BLOCKING HYDROCARBONS, TOXIC & FLAMABLE VAPORS FROM THE ATMOSPHERE. THE CAP IS REMOVABLE TO ALLOW FLUSHING OF ANY HYDROCARBONS THAT COLLECT ON THE WATER SEAL. ESSCO DRAINS MEET EPA REQUIREMENTS FOR THE FOLLOWING:

- 1. EPA COMPLIANCE FOR QQQ, B-1 & HON**
- 2. API RP 500, 10.13.1, FIGURE 58, TYPE 1 OPEN DRAIN.**

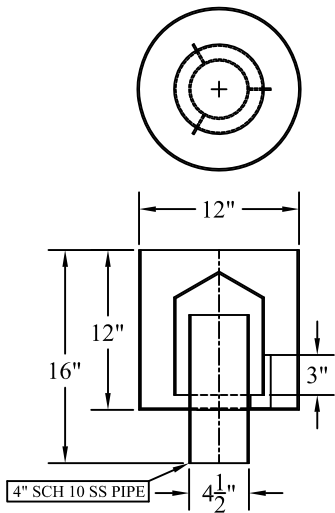
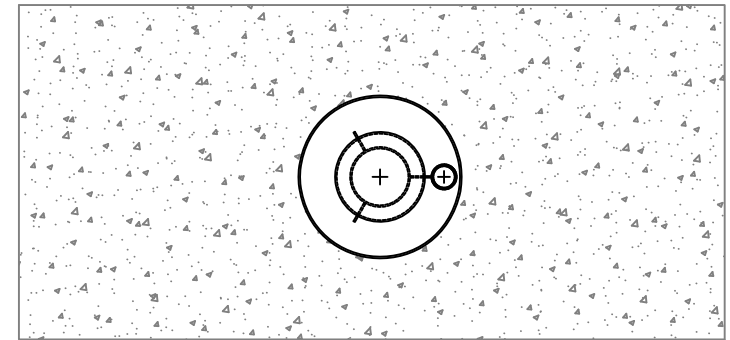
RECOMMENDED CONNECTION
 ESSCO RECOMMENDS THE STRAUB COUPLING FOR JOINING THE ESSCO DRAIN HUBS OR CATCH BASINS TO THE UNDERGROUND PIPING. THE STRAUB COUPLING MEETS THE REQUIREMENTS OF ASME B16.5 MAKING IT EQUAL TO A FLANGE OR WELD CONNECTION. THE STRAUB COUPLING IS A MUCH SAFER AND FASTER CONNECTION THAN WELDING TO CARBON STEEL PIPE AND WILL ALSO CONNECT CAST IRON, DUCTILE IRON AND HDPE PIPE. THE STRAUB COUPLING MAKES AN EXCEPTIONAL CONNECTION FOR UNDERGROUND PIPING BY ALLOWING THE PIPE TO BE DEFLECTED WITHIN THE COUPLING HOUSING TO MATCH THE SLOPE OF THE SEWER LINE. CONTACT ESSCO (225-753-1505) FOR MORE DETAILS.



STRAUB COUPLINGS CAN BE USED TO CONNECT ALL UNDERGROUND PIPING AND IS A MUCH FASTER AND SAFER CONNECTION THAN WELDING.
 4\" BUTT WELD, FIELD FIT = 45 MIN.
 4\" STRAUB CONNECTION = 5 TO 10 MIN.



STRAUB COUPLING - 4\"
 P/N ESSFILN4W51143



DRAIN HUB DESIGN REQUIREMENTS

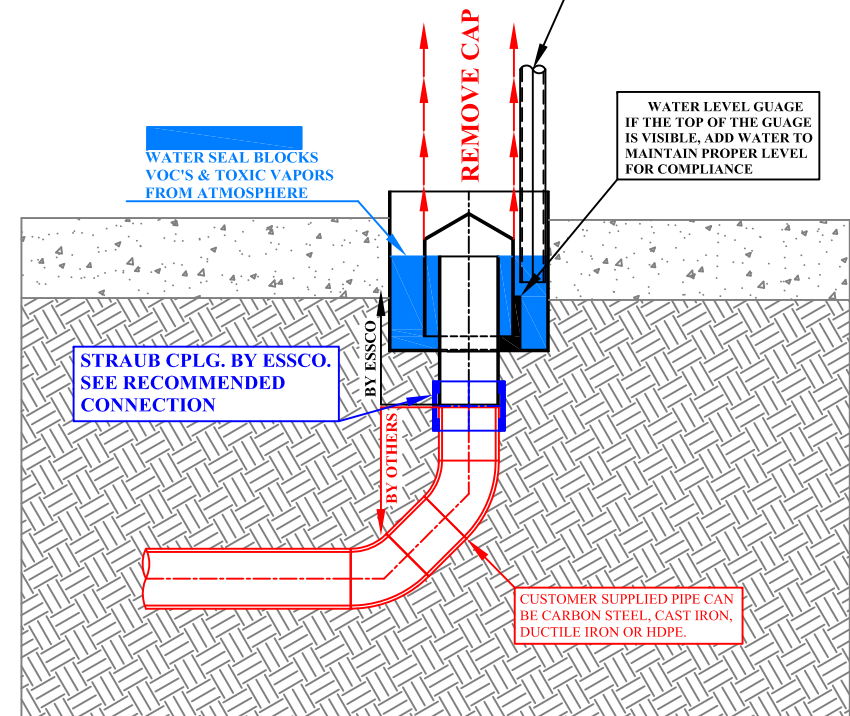
- 1. FLOW REQUIRED (GPM) PER D H - _____**
- 2. LINE SIZE - _____**
- 3. LINE TYPE - _____ (CS, CI, DI, PVC, ETC.)**
- 4. INVERT ELEVATION - _____**

ESSCO DRAIN HUBS CAN BE DESIGNED FOR ANY LINE SIZE & ANY FLOW REQUIREMENT

ESSCO QQQ, B-1, HON & API 500 TYPE 1 COMPLIANT DRAIN HUB FOR 4\" LINE
 FLOW RATE = 200 GPM (APPROXIMATE) THROUGH PUMP DRAIN HUB AS DESIGNED
 FLOW RATE DOES NOT ACCOUNT FOR FRICTION LOSSES IN UNDERGROUND PIPING
 HIGHER FLOW RATES AVAILABLE. CONTACT ESSCO (225) 753-1505 FOR DESIGN DETAILS

NOTE
ESSCO DRAIN HUBS CAN BE USED AS A CLEAN OUT BY SIMPLY REMOVING THE CAP

INSTALL 1 1/2\" OR SMALLER DRAIN LINES AS SHOWN FOR REMOVAL OF CAP WHEN FLUSHING DRAINS PRIOR TO HOT WORK, ENVIRONMENTAL TESTING OR WHEN USING DRAIN AS A CLEAN OUT



ESSCO DRAIN HUB FOR PUMP OR VESSEL DRAINS
QQQ, B-1, HON & API 500 TYPE 1 COMPLIANT INSTALLATION

CUSTOMER:	DATE:	MATERIAL: TYPE 304 STAINLESS STEEL	DWG. NO:	REV : 0
	ESSCO PRODUCTS ARE PROTECTED BY U.S. & INTERNATIONAL PATENTS AND/OR PATENTS PENDING		ESSCO DRAIN HUB	
SERIAL NO.:	ESSCO		ENVIROSAFE SEALING SYSTEMS CO., INC.	
	MODEL: ECB-PDH-12R4-12		BATON ROUGE, LA (225) 753-1505	